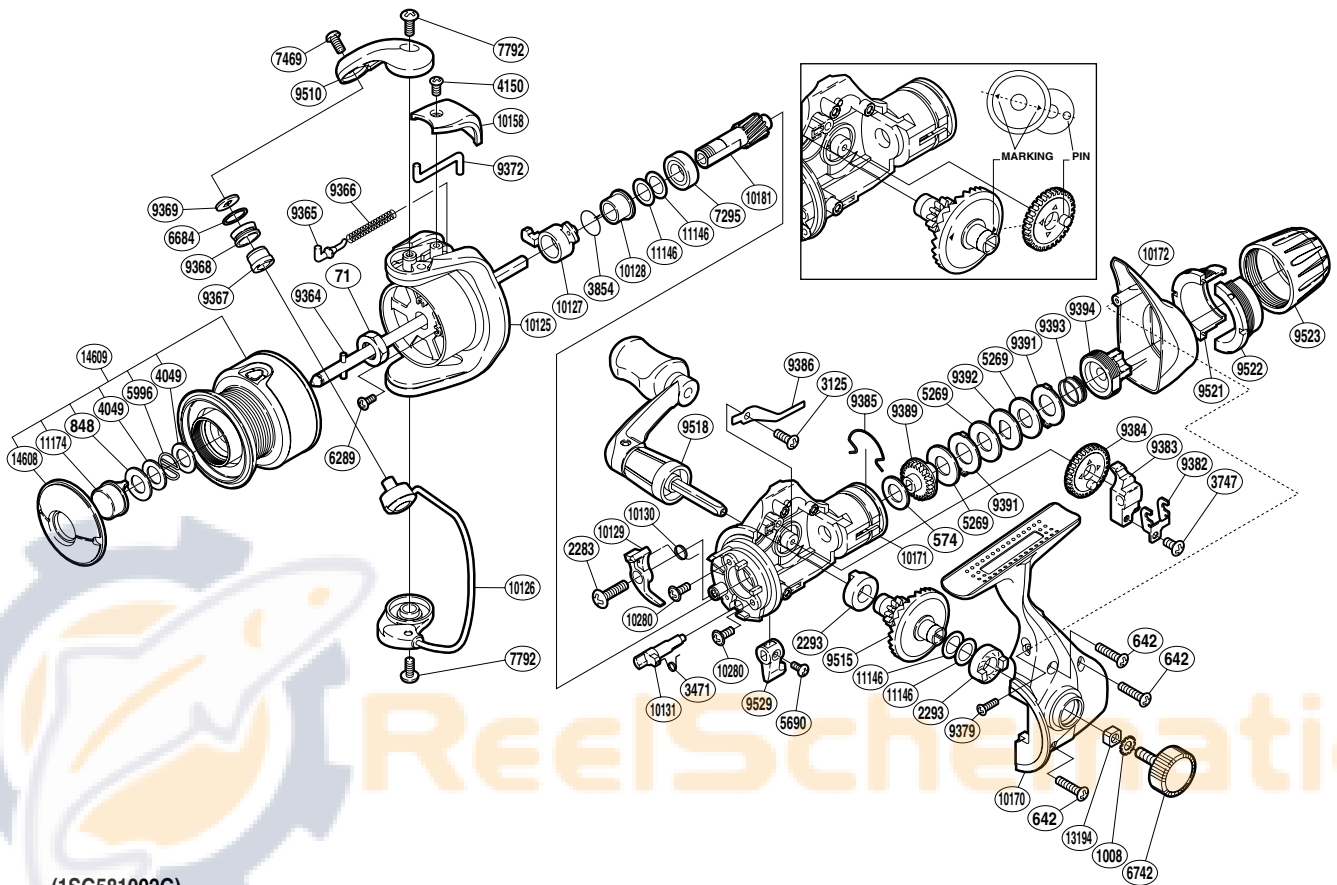


# SHIMANO

## HYPERLOOP

## HL-1000RB



(1SG581002G)

Part No.	Description	Part No.	Description	Part No.	Description
RD 0071	Rotor Nut	RD 9364	Main Shaft	RD 9522	Drag Programmer B2
RD 0574	Drag Washer	RD 9365	Bail Spring Guide	RD 9523	Drag Programmer A
RD 0642	Screw	RD 9366	Bail Spring	RD 9529	Anti-Reverse Lever
RD 0848	Washer	RD 9367	Line Roller Bushing	RD10125	Rotor
RD 1008	Handle Lock Washer	RD 9368	Line Roller	RD10126	Bail Assembly
RD 2283	Screw	RD 9369	Line Roller Washer	RD10127	Anti-Reverse Lock Out
RD 2293	Drive Gear Bushing	RD 9372	Bail Trip Lever	RD10128	Lock Out Spring Holder
RD 3125	Screw	RD 9379	Screw	RD10129	Anti-Reverse Pawl
RD 3471	Anti-Reverse Cam Spring	RD 9382	Oscillating Slider Retainer	RD10130	Anti-Reverse Pawl Spring
RD 3747	Screw	RD 9383	Oscillating Slider	RD10131	Anti-Reverse Cam
RD 3854	Anti-Reverse Lock Out Spring	RD 9384	Oscillating Gear	RD10158	Bail Spring Cover
RD 4049	Washer	RD 9385	Hold Click Spring	RD10170	Side Cover
RD 4150	Screw	RD 9386	Drag Click	RD10171	Body
RD 5269	Drag Washer	RD 9389	Drag Shaft	RD10172	Rear Protector
RD 5690	Screw	RD 9391	Eared Washer	RD10181	Pinion Gear
RD 5996	Washer	RD 9392	Key Washer	RD10280	Screw
RD 6289	Screw	RD 9393	Drag Coil Spring	RD11146	Washer
RD 6684	Line Roller Spacer	RD 9394	Pressure Screw	RD11174	Push Button
RD 6742	Handle Screw Cap	RD 9510	Bail Arm	RD13194	Handle Screw Lock
RD 7295	Ball Bearing	RD 9515	Drive Gear	RD14608	Push Button Collar
RD 7469	Screw	RD 9518	Handle Assembly	RD14609	Spool Assembly
RD 7792	Screw	RD 9521	Drag Programmer B1		